

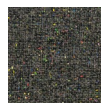
# Augusta Bi-Sectional



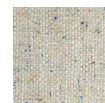
Caledon  
Cinder



Caledon  
Sedona



Funfetti  
Galaxy



Funfetti  
Linen

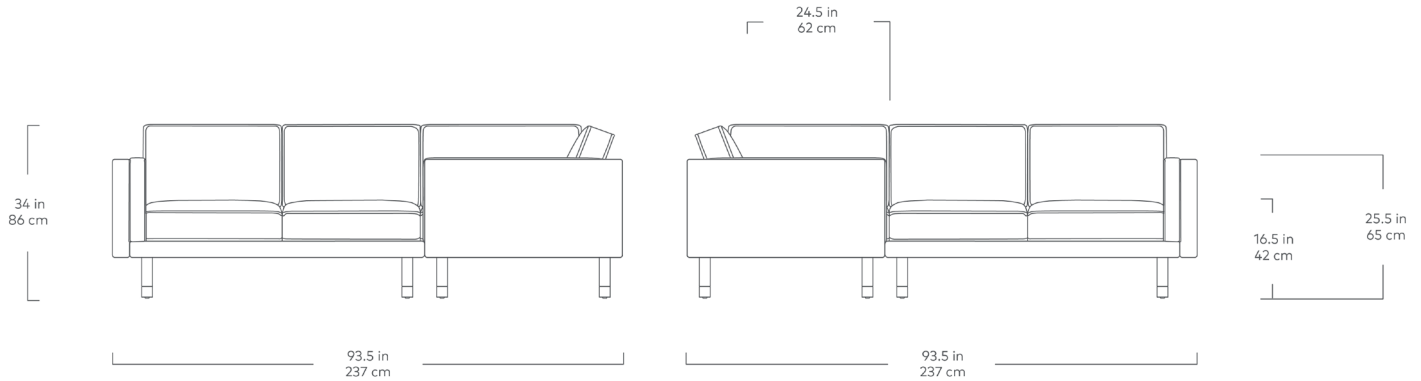
The Augusta is a meticulously designed corner sectional that nods to classic Modernist archetypes while looking to the next Mid-century with fresh details, finishes and sustainable materials. Structured cushions, with French-seam detailing, provide comfort and reinforce the pedigreed style. Solid wood legs include a metal detail to add understated sophistication to the design. Augusta's frame and legs are constructed with durable, kiln-dried FSC®-Certified hardwood, in support of responsible forest management. The Bi-Sectional matches perfectly with the Augusta Sofa.

Design Trade Professionals: We aim to keep our designs in stock and ready to ship quickly for projects on a tight timeline. Designs may be customized with COM and alternate finishes (minimum quantities may apply).

**Gus\***

FOR PRODUCT INFORMATION, SWATCHES + ORDERING: [HELLO@RYPEN.COM](mailto:HELLO@RYPEN.COM) | 800.560.0554 | [WWW.RYPEN.COM](http://WWW.RYPEN.COM)

# Augusta Bi-Sectional



- Caledon Sedona and Funfetti Linen are paired with Natural Ash/Brass legs only. Caledon Cinder and Funfetti Galaxy are paired with Walnut Finish/Pewter legs only.
- All cushions are crafted with high resiliency medium density foam covered in a Dacron wrap.
- Reversible seat and back cushions. Velcro attachments on side bolster cushions for a secure connection to the upholstered frame.
- French seam detailing on all cushions and frame.
- A slim platform gives the illusion of the design sitting higher off the ground.
- Durable inner frame constructed with steel and kiln-dried, FSC® Certified hardwood, in support of responsible forest management (FSC® 092551). By purchasing this product you help take care of the world's forests.
- Legs are crafted from solid wood and have non-marking tack glide feet on the bottom of the legs to protect hardwood floors.
- Metal leg detail is a pewter or brass finish vacuum-plated onto steel.
- No-Sag, sinuous spring suspension system.
- All joints have been stress tested.
- Manufactured to comply with California Prop Phase 2 standards.
- Manufactured to meet California TB117-2013 fire safety standards without the use of flame retardant additives in the upholstery foam.



**Gus\***



PROFESSIONALS

**rypen**  
STUDIO

Register for Our Exclusive  
Project Builder + Ordering Platform

